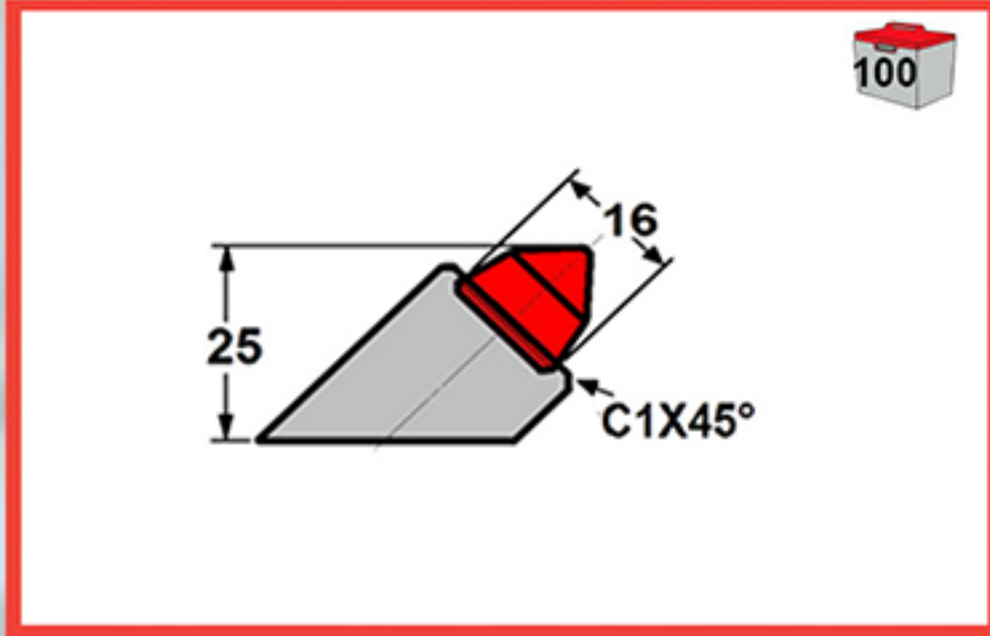


WIELD ON TEETH

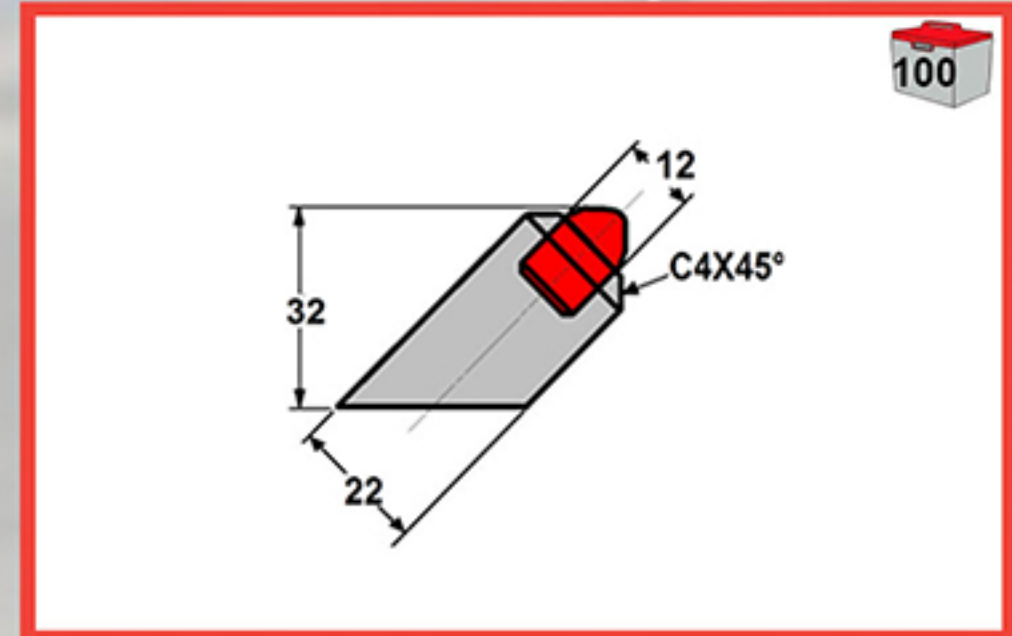
HDD-16DCC-25-45

Weld On 16mm Cap Tooth, Height 25mm



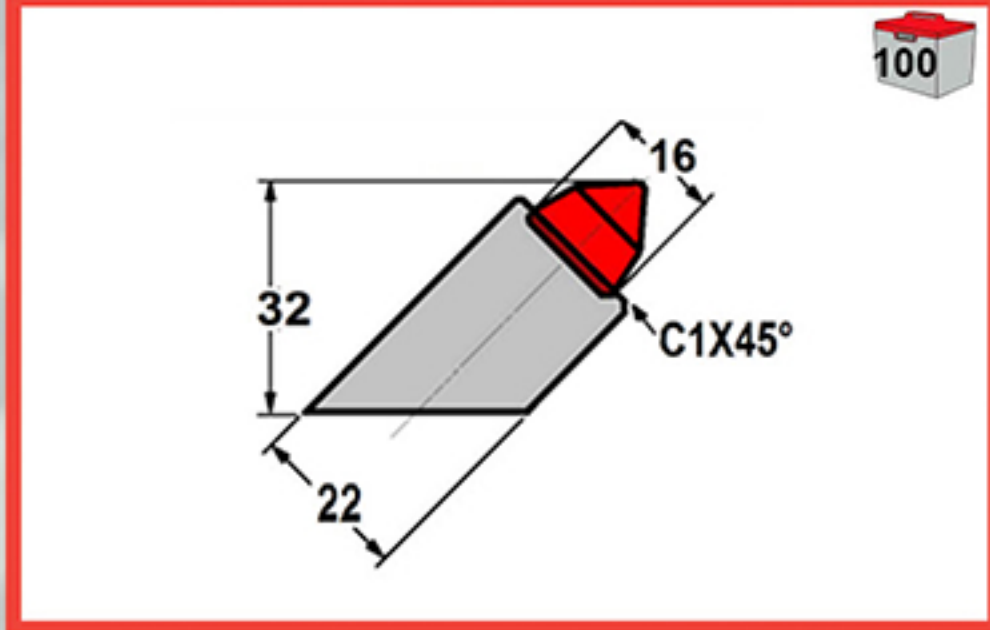
HDD-12DCI-32-45

Weld On 12mm Insert Tooth, Height 32mm



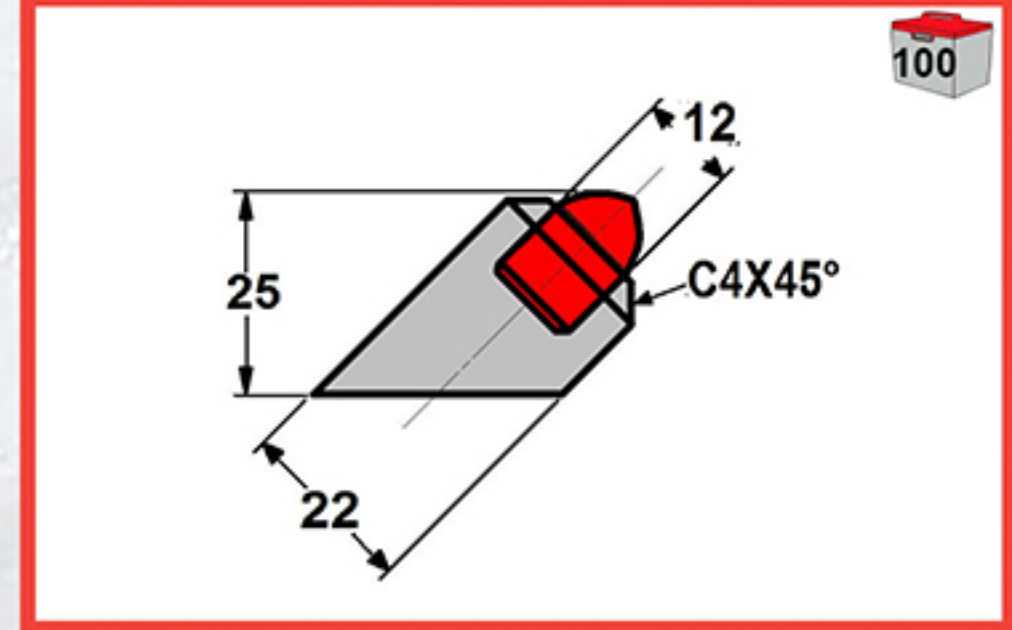
HDD-16DCC-32-45

Weld On 16mm Cap, Tooth Height 32mm



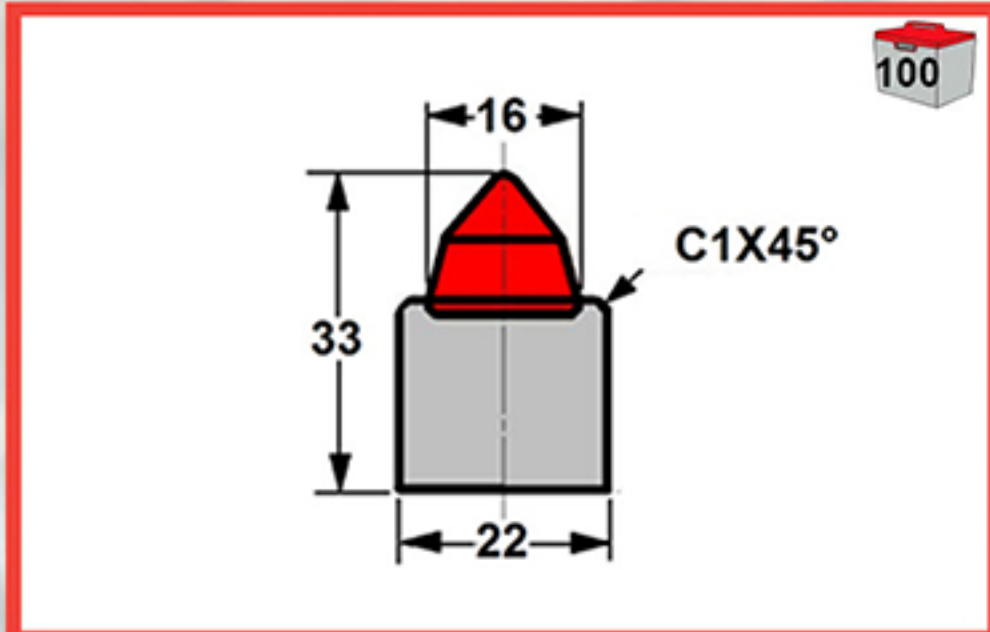
HDD-12DCI-25-45

Weld On 12mm Insert Tooth, Height 25mm



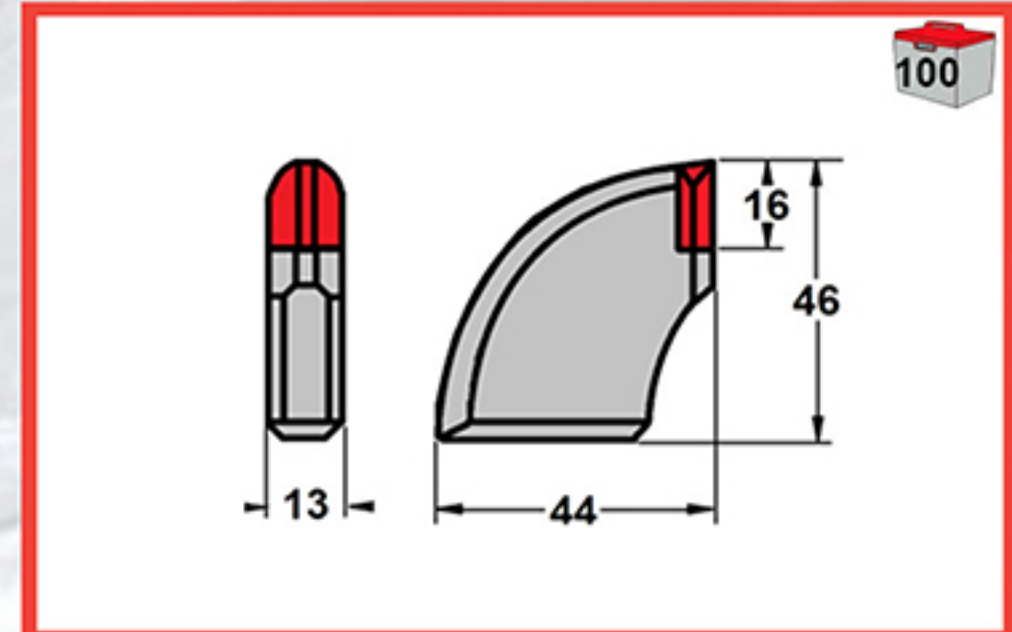
HDD-16DCC-33-90

Weld On 16mm Cap, Height 33mm, Angle=90



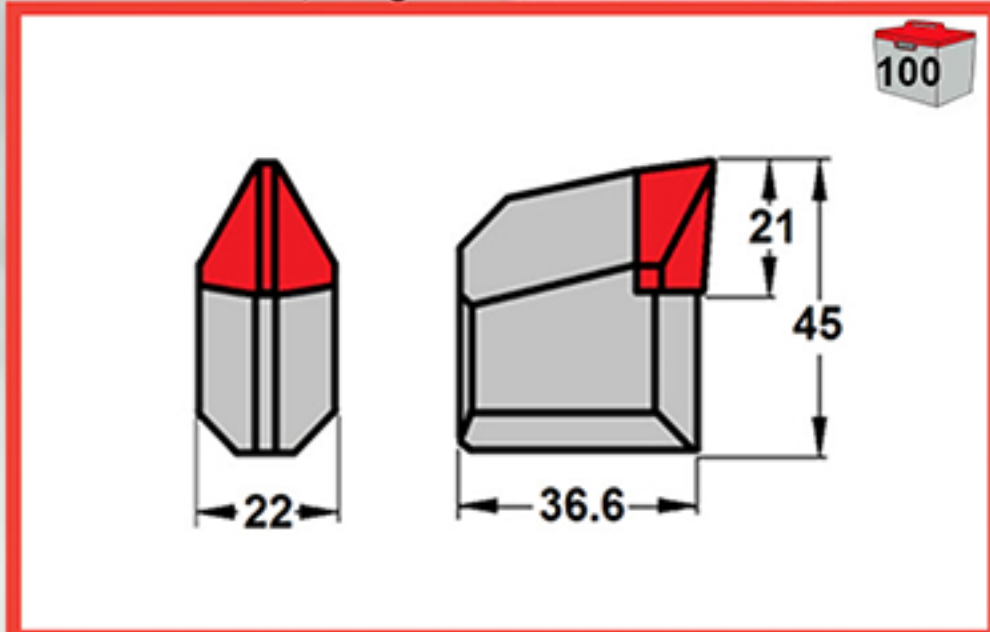
EM405

Weld-On Tooth, Height 44mm



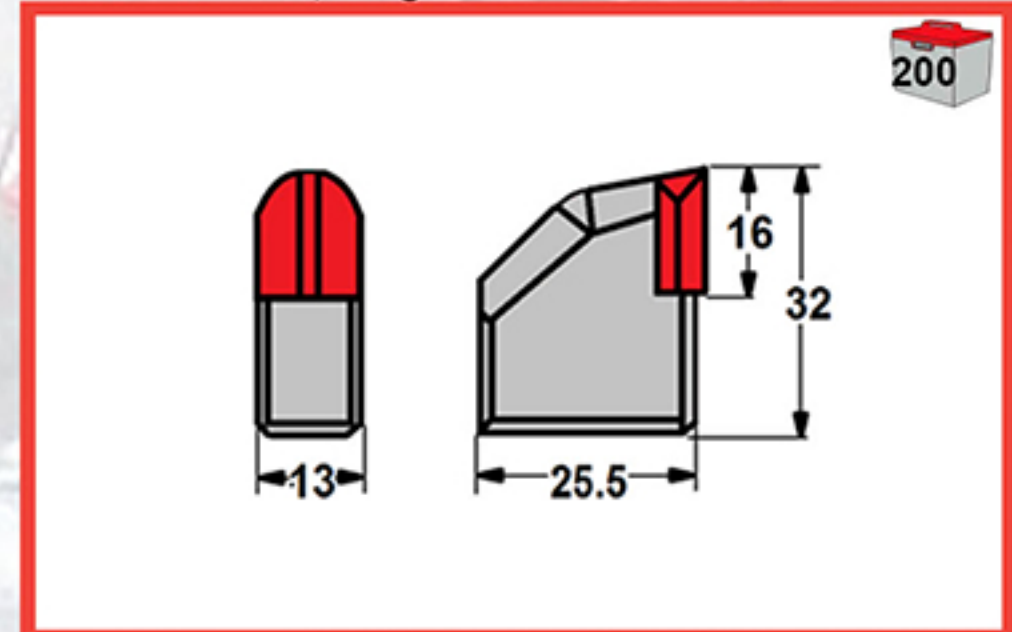
EM405-22

Weld-On Tooth, Height 36.5mm



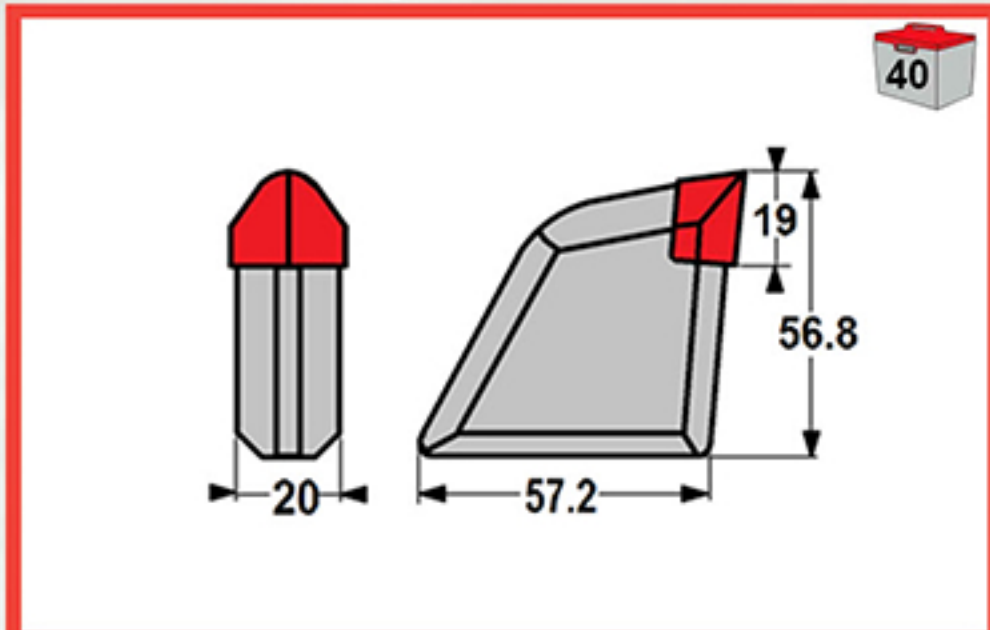
EM405-S

Weld-On Tooth, Height 25.5mm



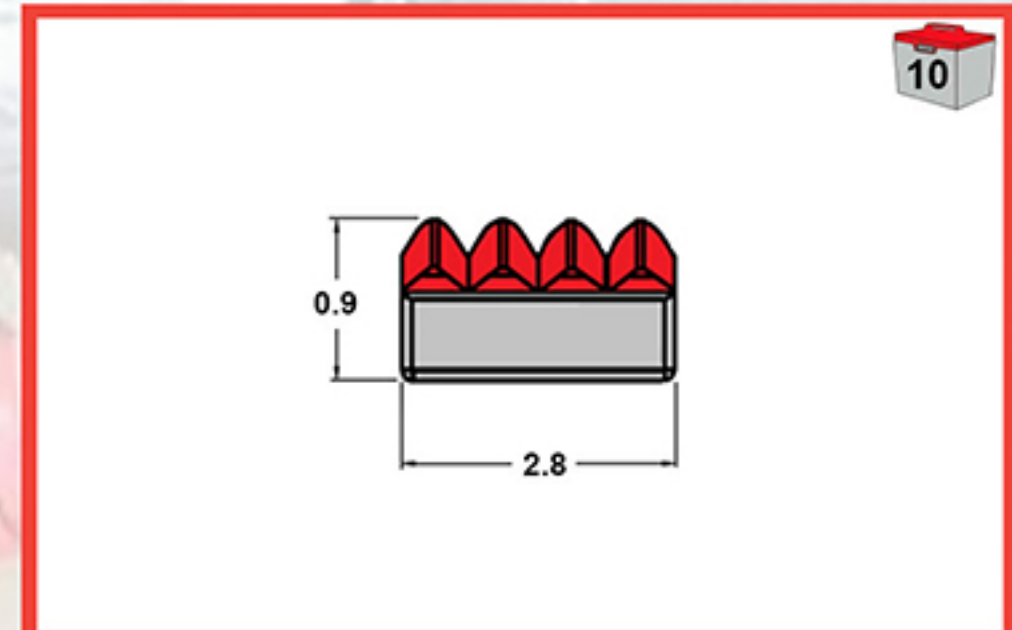
EM405-22L

Weld-On Tooth, Height 57mm



EMRE1

Replacement weld-on carbide segments



Tricone Bits

Tricone PDC Bit (contact us directly about variety of types and sizes)



Thread Repairing

API Thread Recutting / Repairing

